



TRADITIONAL DRINKING FOUNTAINS

INSTALLATION/MAINTENANCE INSTRUCTIONS

INSTALLATION INSTRUCTIONS FOR FOUNTAIN M-C76-1

Prepare trench for water-supply line and waste line (if required). Below fountain location, prepare hole to trench depth and large enough for a person to work. Lay water-supply line and waste line (if required) into trench. Run flexible supply line to above grade level, allowing extra line length to be trimmed during hook-up.

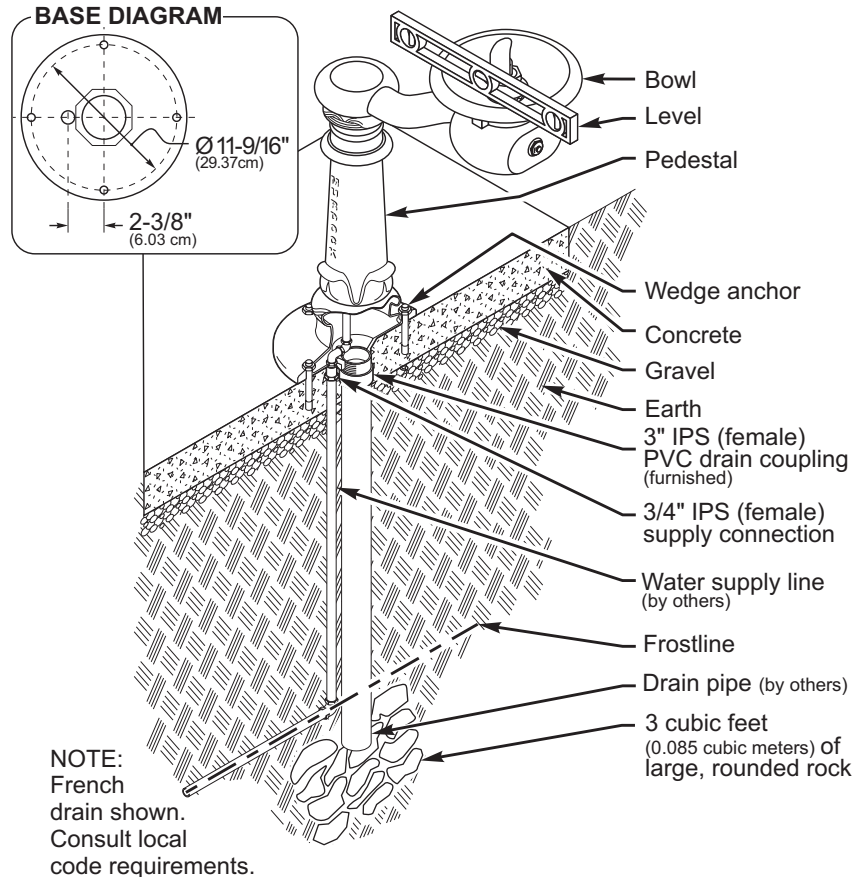
Depending on code and design requirements, drain may be open, French or sanitary connection. Run PVC drain line from depth of bury to above grade, allowing extra line length to be trimmed during hook-up. Make certain that drain line is plumb. For open drain, place a minimum of three cubic feet (0.085 cubic meter) of large round rock under drain opening.

Back-fill trench and hole, leaving sufficient depth in hole to accommodate concrete slab. Compact back-filled earth. Spread and compact gravel as necessary. Build form approximately six inches square around supply and drain lines. Pour concrete to grade level, encasing anchor bolts. Finish concrete as necessary, ensuring that top surface of slab is flat and level. Remove form after concrete has set up.

After concrete has cured, trim drain line to approximately 1-1/2 inches below grade. Ensure that top of drain line is squared off, clean and free of burrs and debris. Position drinking fountain in desired location. Using pedestal base as template, mark mounting-hole locations on concrete. Remove fountain and drill 5/8 inch diameter holes approximately six inches deep in concrete at markings. Drive 5/8 x 6 inch wedge anchors into holes and remove nuts.

Support fountain on boards above desired location. Connect supply line to supply connection in pedestal base. Apply plumbing adhesive to inside of PVC drain coupling. Remove support boards and lower fountain to rest on concrete, making certain that PVC coupling seats properly over drain line and that mounting holes in pedestal base fit around anchor shanks.

Lay bubble level across fountain bowl and shim pedestal base as necessary to ensure that fountain is plumb. Secure nuts onto anchors. Installer shall ensure that supply pressure does not exceed 40 psi.



MAINTENANCE INSTRUCTIONS

All normal maintenance is done from above grade. To adjust water flow, unscrew hex cover from push-button assembly and remove hex cover and button cap. Using flat screwdriver, turn nylon regulating screw inside valve stem clockwise to increase flow or counterclockwise to reduce flow. Replace button cap and hex cover.

To replace valve, remove hex cover and button cap. Using spanner wrench, unscrew retainer. Remove worn valve. Insert new valve, making certain that gasket is properly seated and that valve ports are aligned with mating holes in valve housing. Replace retainer, button cap and hex cover. Insure that plastic lines are not kinked when fountain is reassembled.

