



# TRADITIONAL DRINKING FOUNTAINS

## Classic Series

### MODEL M-1776 OLD STYLE FREEZE RESISTANT PEDESTAL DRINKING FOUNTAIN

#### STANDARD FEATURES

Model M-1776 Old Style is a drinking fountain of Victorian-era design. The control valve is located below the frost line to provide freeze resistant functionality. Activating the pedal raises or lowers the internal supply and waste column, controlling the valve. Constructed of cast iron with cast brass bowl, all brass parts and a stainless steel mainspring, this drinking fountain is equipped with an automatic stream control. Model M-1776 is designed for year-round use, trouble-free reliability and easy maintenance.

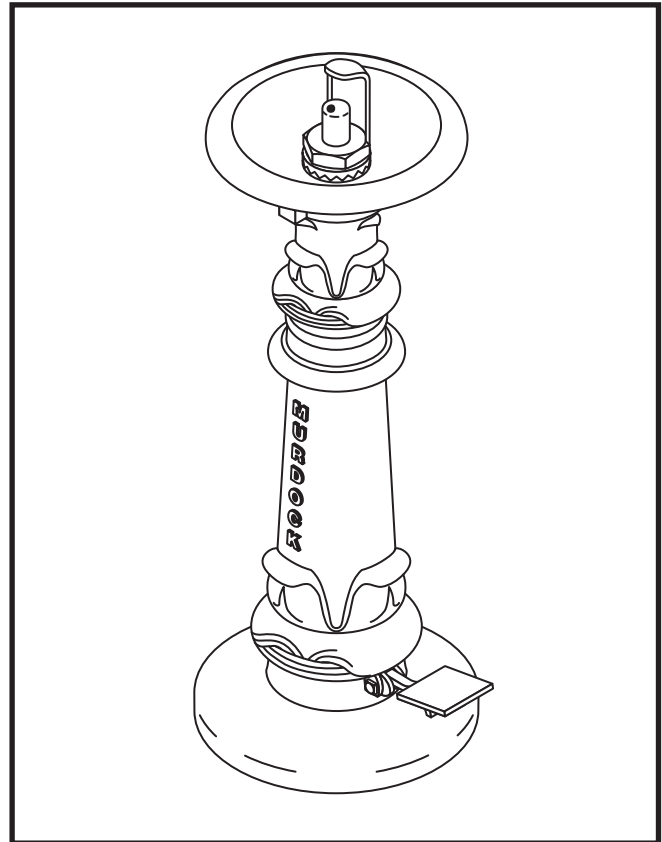
#### SUGGESTED SPECIFICATIONS

Drinking fountain shall be Murdock-Super Secur model M-1776 Old Style. Unit shall be capable of year-round use in freezing weather.

Pedestal shall be heavy, one-piece iron casting extending from grade level to bowl. Pedestal shall be embossed with a decorative filigree and finished with a heavy grade of oil-based black enamel.

Bowl shall be a round, polished solid brass casting. Drain opening in bowl shall adequately protected from stoppage or vandalism. Bubbler shall be polished solid brass casting with angle stream outlet at center of bowl and above bowl rim. Mouth guard shall be polished solid brass casting to meet sanitary requirements. All solid brass castings shall conform to ASTM standards B61 and B62. Lead-free castings are used in all waterways.

Valve shall be foot-pedal operated, spring-loaded to close. Pedal shall be aluminum bronze, finished with a heavy grade of oil-based black enamel. Mainspring shall be stainless steel wire with a minimum diameter of 0.225 inch (0.57 cm).



**Standard Model:** M-1776

#### DEPTH OF BURY

*(additional costs may be incurred)*

- |   |   |
|---|---|
| <input type="checkbox"/> 2 ft. (61 cm)    | <input type="checkbox"/> 5 ft. (152.4 cm) |
| <input type="checkbox"/> 3 ft. (91.4 cm)  | <input type="checkbox"/> 6 ft. (182.9 cm) |
| <input type="checkbox"/> 4 ft. (121.9 cm) |   |
| <input type="checkbox"/> Other _____      |   |

#### OPTIONS

*(additional costs may be incurred)*

- |   |  |
|---|--|
| <input type="checkbox"/> - BFH          | Double ball check valve*                   |
| <input type="checkbox"/>                | Polished brass bowl and bubbler (standard) |
| <input type="checkbox"/>                | Chrome plated bowl and bubbler             |
| <input type="checkbox"/> - <b>Black</b> | Pedestal color black (standard)            |
| <input type="checkbox"/> - <b>Brown</b> | Pedestal color brown                       |
| <input type="checkbox"/> - <b>Green</b> | Pedestal color green                       |

*Custom color finishes available upon request.*

*\* See separate option sheets*

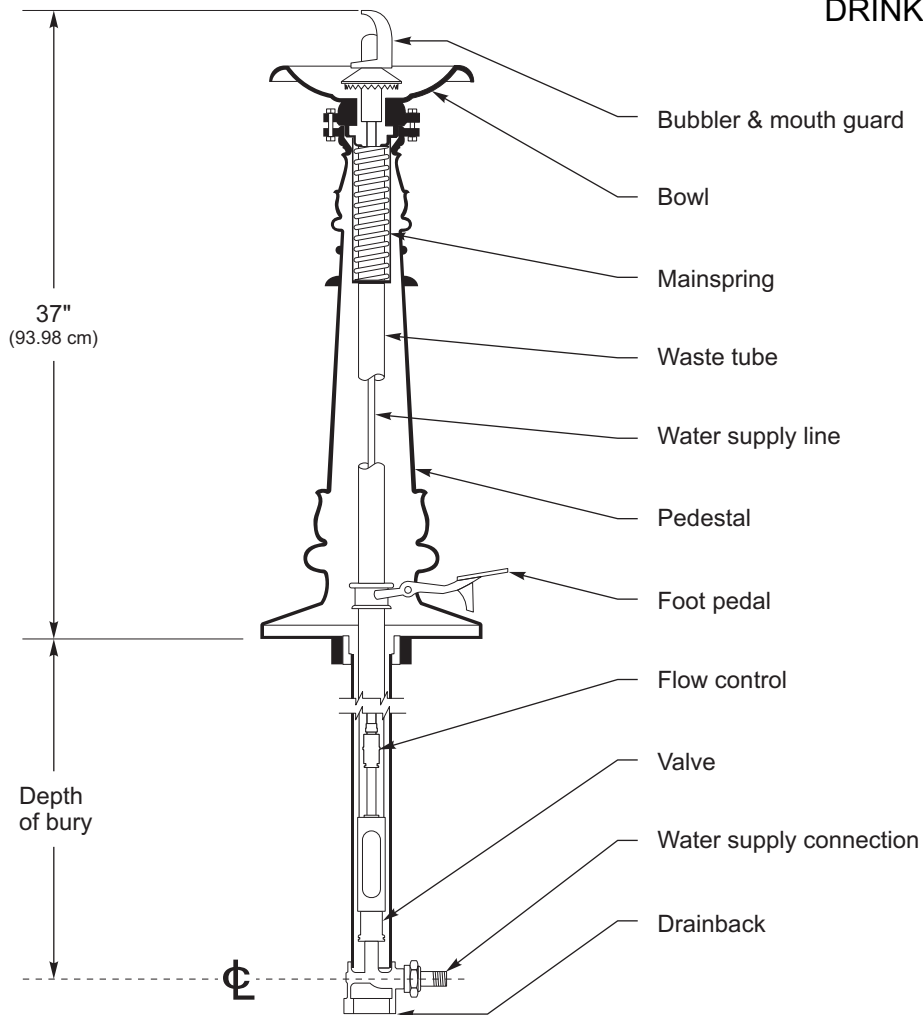
Please visit [www.murdock-supersecur.com](http://www.murdock-supersecur.com)  
for most current specifications.

**MURDOCK-SUPER SECUR** A Member of Acorn Engineering's Family of Companies  
15125 Proctor Avenue • City of Industry, CA 91746 USA • Phone 800-591-9880 or 626-333-2543 • Fax 626-855-4860



# TRADITIONAL DRINKING FOUNTAINS

## Classic Series MODEL M-1776 OLD STYLE FREEZE RESISTANT PEDESTAL DRINKING FOUNTAIN



**ONE YEAR LIMITED WARRANTY** - Parts are warranted for one (1) year from date of shipment.

### SELECTION SUMMARY & APPROVAL FOR MANUFACTURING

*All dimensions are nominal and subject to manufacturer's change without notice. Murdock-Super Secur assumes no responsibility for use of void or suspended data. © Copyright 2006, Murdock-Super Secur, a division of Acorn Engineering Company. Please visit [www.murdock-supersecur.com](http://www.murdock-supersecur.com) for most current specifications.*

Model Numbers & Options \_\_\_\_\_ Quantity \_\_\_\_\_

Company \_\_\_\_\_ Date \_\_\_\_\_

Contact \_\_\_\_\_ Title \_\_\_\_\_

Approval for Manufacturing/Signature \_\_\_\_\_

**MURDOCK-SUPER SECUR** A Member of Acorn Engineering's Family of Companies  
15125 Proctor Avenue • City of Industry, CA 91746 USA • Phone 800-591-9880 or 626-333-2543 • Fax 626-855-4860